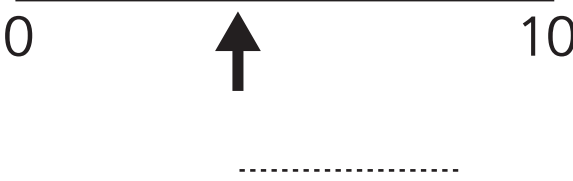
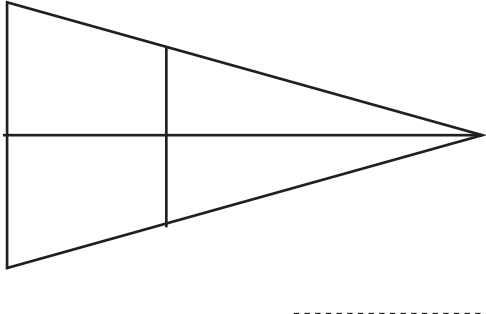


Year 3 Mental Maths

Name: _____ Date: _____

1.		9.	49
2.	250 <input type="text"/> 310	10.	20p
3.		11.	
4.		12.	15p 50p
5.	<input type="text"/> 3 7 6	13.	wheels 5 cars
6.		14.	13 24 12 27 21
7.	<input type="text"/> 45	15.	20 24 28 32 <input type="text"/> 40
8.			